

■用途 Usage

LBD-A/V型信号隔离变送模块是在自动化控制系统中对各种工业信号进行变送,转换,隔离,传输,运算的仪表,可与各种工业传感器配合,取回参数信号,隔离变送传输,满足用户本地监视远程数据采集的需求。

广泛应用于机械,电气,电信,电力,石油,化工,钢铁,污水处理,楼宇建筑等领域的数据采集,信号传输转换,PLC,DCS等工业测控系统,用来完善和补充系统模拟I/O插件功能,增加系统适用性和现场环境的可靠度。

LBD-A/V signal isolator is used in the automatic control system ,to each industry signal the transformation, the isolation, the transmission, the operation measuring appliance, with supporting the use of a variety of industrial sensors,to obtain the signal parameters,and isolate changes delivers the electricity, the telecommunication, the electric power, the sewage treatment, domain and so on building construction data acquisitions, the signaling transforms, industry observation and control systems and so on PLC, DCS, use for to consummate and the supplement system simulation I/O plug-in unit function, the increase system serviceability and the scene environment margin of safety.

■特点 Feature

测量: 直流电压、直流电流、电位计等。

精度: $\leq \pm 0.2\%R0$

隔离方式: 输入、输出、电源三方完全隔离。抗干扰强。

输出: 4~20mA,0~10V,1~5V,2~10V,0~20mA等。

工作电源: DC24V,DC110V,DC220V,AC220V等。

Measure:DC Voltage,DC Current,Potentiometer and so on.

Accuracy: $\leq \pm 0.2\%R0$.

Isolation:Between input/output/ power supply.

Output:4~20mA,0~10V,1~5V,2~10V,0~20mA and so on.

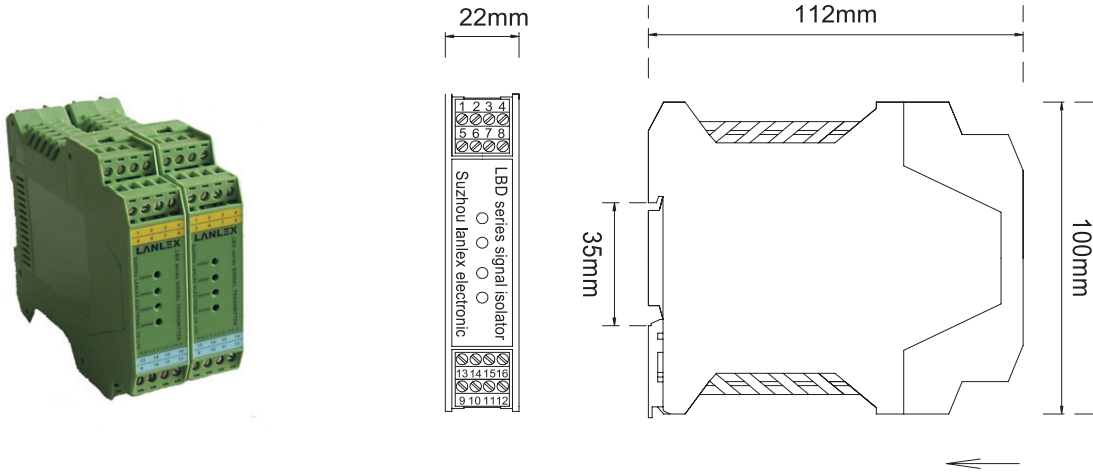
Power supply:DC24V,DC110V,DC220V,AC220V and special.

■技术参数 Technical parameters

输入信号 Input signal	直流电压、直流电流、电位计 DC Voltage,DC Current,Potentiometer
响应时间 Response time	<400mSec.
输出电压 Output voltage	0~10Vdc,1~5Vdc,0~5Vdc,and special
输出电流 Output current	4~20mAdc,0~20mAdc,0~10mAdc,and special
输出负载 Output overload	电流输出时<750Ω,电压输出时>1000Ω Output current <750Ω,Output voltage>1000Ω
输出满度校调 Span adjustment	$\leq \pm 20\%$ of R.O.
输出零点校调 Zero adjustment	$\leq \pm 10\%$ of R.O.
工作电源 Power supply	AC220V $\pm 10\%$ 、AC110V、DC220V、DC110V、DC24V $\pm 20\%$
电源功耗 Consumption	直流供电<3W,交流供电<4VA DC Power <3W,AC Power <4VA
外壳材料 Case material	ABS
隔离 Isolation	输入/输出/电源/外壳 互相隔离 Between input/output/power/case
耐压强度 Isolation voltage	AC2KVrms/min
绝缘阻抗 Insulation resistance	>100MΩ,DC500V
工作环境温湿度 Operating temperature humidity	— 10℃~55℃, <80%相对湿度(无冷凝状态) — 10℃~55℃, <80%Relative humidity(non-condensing)
储存环境温度湿度 Storage temperature humidity	— 20℃~70℃, <70%相对湿度(无冷凝状态) — 20℃~70℃, <70%Relative humidity(non-condensing)
外型尺寸 Case dimension	100mm(长)×22mm(宽)×112mm(高) 100 mm(Length)×22mm (Width)×112mm (Height)
安装方式 Mounting	标准导轨35mm,或螺钉固定 DIN rail 35mm,or fix to cubicle with bolt
重量 Weight	<200克 <200g

信号隔离器
Signal isolator

外型尺寸 Dimension



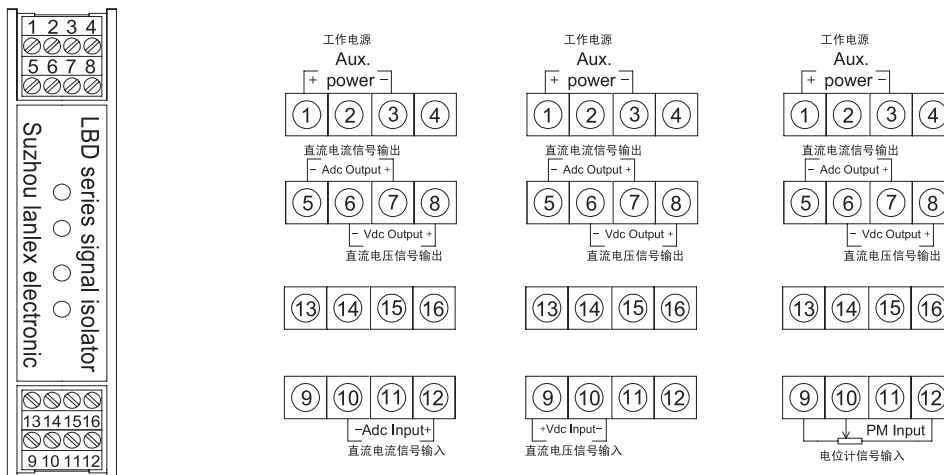
选型代码 Model Code

企业代码 Company code	功能代码 Function code	输入代码 Input code				输出代码 Output code		工作电源代码 Aux.power		
LBD	A	直流电流	A4	4~20mA	V5	0~500V	A4	4~20mA	D	DC24V
		DC Current	A2	0~20mA	V6	0~75mV	A2	0~20mA	A2	AC220V
	V	直流电压	A1	0~10mA	VD	0~±75mV	A1	0~10mA	A1	AC110V
		DC Voltage	A0	0~1mA	VE	0~±10V	V0	1~5V	D2	DC220V
	R	电位计	V0	1~5V	R1	0~500Ω	V1	0~10V	D1	DC110V
		Potentiometer	V1	0~10V	R2	0~1KΩ	V2	2~10V	Y	Special
			V2	2~10V	R3	0~10KΩ	V3	0~5V		
			V3	0~5V	R4	0~50KΩ	VE	0~±10V		
			V4	0~300V	Y	Special	Y	Special		

订货范例 Order example

型号 Model : LBDAA4A4D
 输入 Input : 4~20mAdc
 输出 Output : 4~20mAdc
 工作电源 Aux.power : DC24V

接线图 Connection Diagram



■ 用途 Usage

LBD-D/T/F型信号隔离分配器是对直流电流, 直流电压信号进行精确测量, 经隔离, 变送, 传输, 转换成标准的模拟信号输出。可将一路信号分配成两路, 三路或四路。可直接与显示仪表相接, 同时亦可以与PLC, DCS, 各种A/D转换器以及计算机系统相接。

广泛运用于机械, 电力, 铁路, 石化, 冶金, 化工, 食品, 污水处理行业的自动化系统中。

LBD-D/T/F isolated distributors can make accurate measurement of DC current voltage, isolate and transmit into standard analog output. It can separate one-channel signal into two-channel, three-channel, four-channel isolated signal. It can directly connect digital display, PLC, DCS, various A/D converter, computer system. So, it is an excellent product with high price performance ratio widely used in automation system of many industries such as machinery, electric power, railway, petrochemical, metallurgical, chemical engineering, sewage treatment and so on.

■ 特点 Feature

测量: 直流电压、直流电流。

精度: $\leq \pm 0.2\% R.O$

隔离方式: 输入、输出、电源三方完全隔离。抗干扰强。

输出方式: 一进二出, 一进三出, 一进四出

输出: 4~20mA, 0~10V, 1~5V, 2~10V, 0~20mA等。

工作电源: DC24V, DC110V, DC220V, AC220V等。

Measure: DC Voltage, DC Current

Accuracy: $\leq \pm 0.2\% R.O$

Isolation: Between input/output/ power supply.

Output way: 1-channel to 2-channel, to 3-channel, to 4-channel.

Output: 4~20mA, 0~10V, 1~5V, 2~10V, 0~20mA and so on.

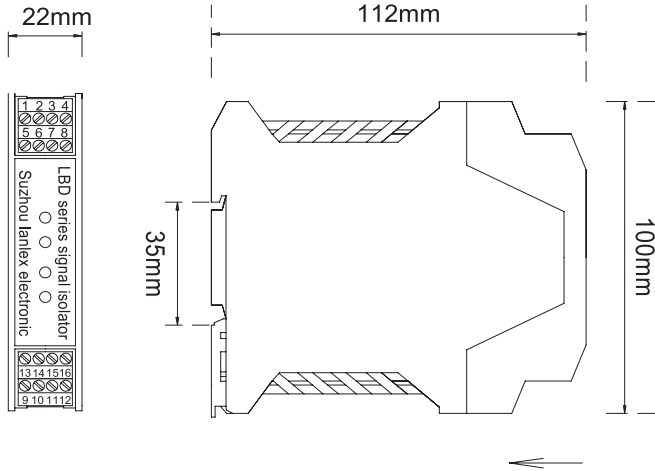
Power supply: DC24V, DC110V, DC220V, AC220V and special.

■ 技术参数 Technical parameters

输入信号 Input signal	直流电压、直流电流 DC Voltage, DC Current
响应时间 Response time	<400mSec.
输出电压 Output voltage	0~10Vdc, 1~5Vdc, 0~5Vdc, and special
输出电流 Output current	4~20mA, 0~20mA, 0~10mA, and special
输出负载 Output overload	电流输出时<750Ω, 电压输出时>1000Ω Output current <750Ω, Output voltage >1000Ω
输出满度校调 Span adjustment	$\leq \pm 20\%$ of R.O.
输出零点校调 Zero adjustment	$\leq \pm 10\%$ of R.O.
工作电源 Power supply	AC220V $\pm 10\%$ 、AC110V、DC220V、DC110V、DC24V $\pm 20\%$
电源功耗 Consumption	直流供电<3W, 交流供电<4VA DC Power <3W, AC Power <4VA
外壳材料 Case material	ABS
隔离 Isolation	输入/输出/电源/外壳 互相隔离 Between input/output/power/case
耐压强度 Isolation voltage	AC2KVrms/min
绝缘阻抗 Insulation resistance	>100MΩ, DC500V
工作环境温湿度 Operating temperature humidity	— 10℃~55℃, <80%相对湿度(无冷凝状态) — 10℃~55℃, <80%Relative humidity(non-condensing)
储存环境温度湿度 Storage temperature humidity	— 20℃~70℃, <70%相对湿度(无冷凝状态) — 20℃~70℃, <70%Relative humidity(non-condensing)
外型尺寸 Case dimension	100mm(长)×22mm(宽)×112mm(高) 100 mm(Length)×22mm(Width)×112mm(Height)
安装方式 Mounting	标准导轨35mm, 或螺钉固定 DIN rail 35mm, or fix to cubicle with bolt
重量 Weight	<200克 <200g

信号隔离分配器
Isolated distributors

外型尺寸 Dimension



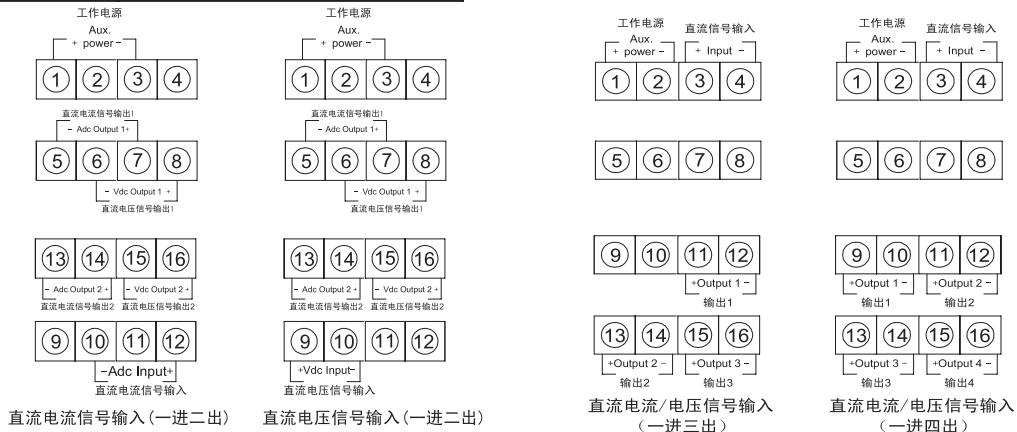
选型代码 Model Code

企业代码 Company code	功能代码 Function code	输入代码 Input code	输出1代码 Output1 code	输出2代码 Output2 code	输出3,4代码 Output3,4 code	工作电源代码 Aux.power
LBD	D 一进二出 2-channel	A4 4~20mA	A4 4~20mA	A4 4~20mA	A4 4~20mA	D DC24V
		A2 0~20mA	A2 0~20mA	A2 0~20mA	A2 0~20mA	A2 AC220V
	T 一进三出 3-channel	A1 0~10mA	A1 0~10mA	A1 0~10mA	A1 0~10mA	A1 AC110V
		A0 0~1mA	A0 0~1mA	A0 0~1mA	A0 0~1mA	D2 DC220V
	F 一进四出 4-channel	V0 1~5V	V0 1~5V	V0 1~5V	V0 1~5V	D1 DC110V
		V1 0~10V	V1 0~10V	V1 0~10V	V1 0~10V	Y Special
		V2 2~10V	V2 2~10V	V2 2~10V	V2 2~10V	
		V3 0~5V	V3 0~5V	V3 0~5V	V3 0~5V	
		V4 0~300V	VE 0~±10V	VE 0~±10V	VE 0~±10V	
		V5 0~500V	Y Special	Y Special	N No	
		V6 0~75mV			Y Special	
		VD 0~±75mV				
	VE 0~±10V					
	Y Special					

订货范例 Order example

型号 Model : LBDFA4A4V1ND
 输入 Input : 4~20mAdc
 输出1 Output1 : 4~20mAdc ; 输出2 Output2 : 4~20mAdc ; 输出3 Output3 : 0~10Vdc ; 输出4 Output4 : No ;
 工作电源 Aux.power : DC24V

接线图 Connection Diagram



■用途 Usage

LBD-PA型信号隔离配电器是在自动化控制系统中对各种工业信号进行变送,转换,隔离,传输,运算的仪表,可与各种工业传感器配合,取回参数信号,隔离变送传输,满足用户本地监视远程数据采集的需求。广泛应用于机械,电气,电信,电力,石油,化工,钢铁,污水处理,楼宇建筑等领域的数据采集,信号传输转换,PLC,DCS等工业测控系统,用来完善和补充系统模拟I/O插件功能,增加系统适用性和现场环境的可靠度。

LBD-PA signal isolator distributor is used in the automatic control system ,to each industry signal the transformation, the isolation, the transmission, the operation measuring appliance, with supporting the use of a variety of industrial sensors,to obtain the signal parameters,and isolate changes delivers the transmission. Widely applies in the machinery, the electricity, the telecommunication, the electric power, the sewage treatment, domain and so on building construction data acquisitions, the signaling transforms, industry observation and control systems and so on PLC, DCS, use for to consummate and the supplement system simulation I/O plug-in unit function, the increase system serviceability and the scene environment margin of safety.

■特点 Feature

测量: 现场二线制传感器4~20mAdc。

配电电压: 24V (22~28V)

精度: $\leq \pm 0.2\%RO$

隔离方式: 输入、输出、电源三方完全隔离。抗干扰强。

输出: 4~20mA,0~10V,1~5V,2~10V,0~20mA等。

工作电源: DC24V,DC110V,DC220V,AC220V等。

Measure:2-wire sensor 4~20mAdc

Excitation voltage:24V (22~28V)

Accuracy: $\leq \pm 0.2\%RO$

Isolation:Between input/output/ power supply.

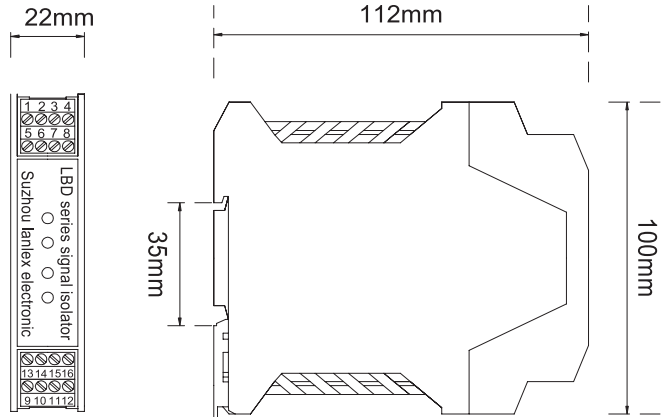
Output:4~20mA,0~10V,1~5V,2~10V,0~20mA and so on.

Power supply:DC24V,DC110V,DC220V,AC220V and special.

■技术参数 Technical parameters

输入信号 Input signal	现场二线制传感器4~20mAdc。 2-wire sensor 4~20mAdc
响应时间 Response time	<400mSec.
配电电压 Excitation voltage	24Vdc (22~28Vdc)
输出信号 Output signal	4~20mAdc,0~20mAdc,0~10mAdc, 0~10Vdc,1~5Vdc,0~5Vdc,and special
输出负载 Output overload	电流输出时<750Ω,电压输出时>1000Ω Output current <750Ω,Output voltage>1000Ω
输出满度校调 Span adjustment	$\leq \pm 20\%$ of R.O.
输出零点校调 Zero adjustment	$\leq \pm 10\%$ of R.O.
工作电源 Power supply	AC220V $\pm 10\%$ 、AC110V、DC220V、DC110V、DC24V $\pm 20\%$
电源功耗 Consumption	直流供电<3W,交流供电<4VA DC Power <3W,AC Power <4VA
外壳材料 Case material	ABS
隔离 Isolation	输入/输出/电源/外壳 互相隔离 Between input/output/power/case
耐压强度 Isolation voltage	AC2KVrms/min
绝缘阻抗 Insulation resistance	>100MΩ,DC500V
工作环境温湿度 Operating temperature humidity	— 10℃~55℃, <80%相对湿度(无冷凝状态) — 10℃~55℃, <80%Relative humidity(non-condensing)
储存环境温度湿度 Storage temperature humidity	— 20℃~70℃, <70%相对湿度(无冷凝状态) — 20℃~70℃, <70%Relative humidity(non-condensing)
外型尺寸 Case dimension	100mm(长)×22mm(宽)×112mm(高) 100 mm(Length)×22mm(Width)×112mm(Height)
安装方式 Mounting	标准导轨35mm,或螺钉固定 DIN rail 35mm,or fix to cubicle with bolt
重量 Weight	<200克 <200g

外型尺寸 Dimension



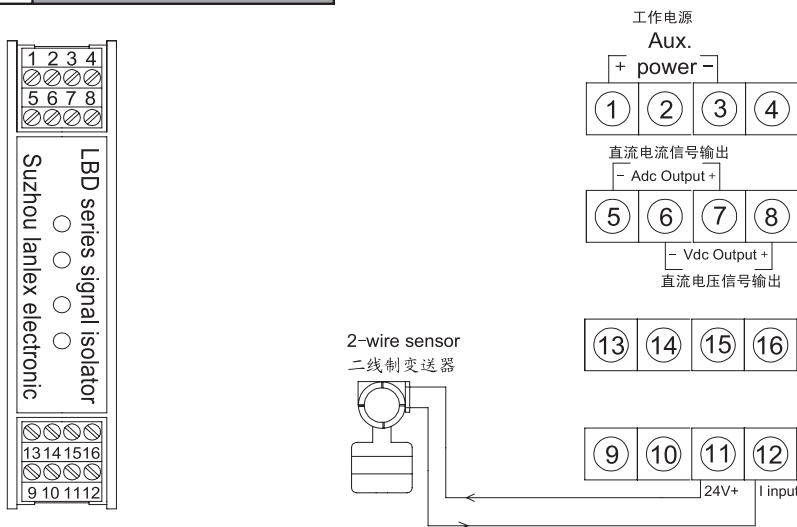
选型代码 Model Code

企业代码 Company code	功能代码 Function code	输入代码 Input code	输出代码 Output code	工作电源代码 Aux.power	
LBD	PA	直流电流 DC Current	A4 4~20mA	A4 4~20mA	D DC24V
		配电24V exic.voltage 24V	A2 0~20mA	A2 0~20mA	A2 AC220V
			A1 0~10mA	A1 0~10mA	A1 AC110V
			A0 0~1mA	V0 1~5V	D2 DC220V
			V1 0~10V	D1 DC220V	
			V2 2~10V	Y Special	
			V3 0~5V		
		Y Special			

订货范例 Order example

型号 Model : LBDPAA4A4D
 输入 Input : 4~20mAdc(24Vdc)
 输出 Output : 4~20mAdc
 工作电源 Aux.power : DC24V

接线图 Connection Diagram



■ 用途 Usage

LBD-TP型热电阻信号温度变送器可对温度传感器输出的热电阻温度信号Pt100, Pt1000, Cu50进行精确测量, 经隔离, 变送, 传输, 转换成准备好的模拟信号输出。可将一路信号分配成两路。可直接与显示仪表相接, 同时亦可以与PLC, DCS, 各种A/D转换器以及计算机系统相接。
广泛运用于机械, 电力, 铁路, 石化, 冶金, 化工, 食品, 污水处理行业的自动化系统中。

LBD-TP thermistor isolate transducer can make accurate measurement of PT100,PT1000,CU50, isolate and transmit into standard analog output. It can separate one -channel signal into two-channel,three-channel,four-channel isolated signal.It can directly connect digital display ,PLC,DCS,various A/D converter,computer system.So,it is a excellent product with high price performance ratio widely used in automation system of many industries such as machinery,electric power,railway,petrochemical,metallurgical,chemical engineering,sewage treatment and so on.

■ 特点 Feature

测量: Pt100, Pt1000, Cu50等。

精度: $\leq \pm 0.2\%R0$

隔离方式: 输入、输出、电源三方完全隔离。抗干扰强。

输出: 4~20mA, 0~10V, 1~5V, 2~10V, 0~20mA等。

工作电源: DC24V, DC110V, DC220V, AC220V等。

Measure: Pt100,Pt1000,Cu50 and so on.

Accuracy: $\leq \pm 0.2\%R0$.

Isolation: Between input/output/ power supply.

Output: 4~20mA, 0~10V, 1~5V, 2~10V, 0~20mA and so on.

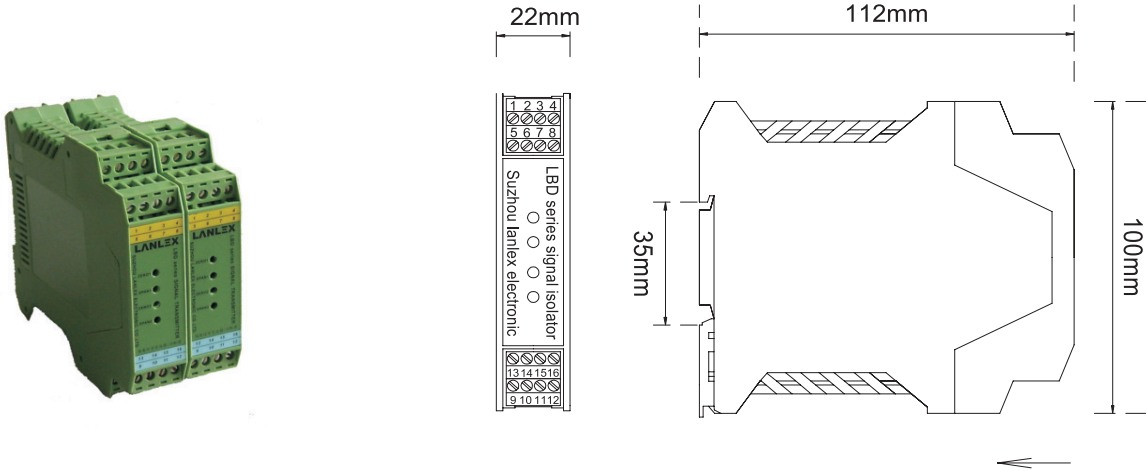
Power supply: DC24V, DC110V, DC220V, AC220V and special.

■ 技术参数 Technical parameters

输入信号 Input signal	Pt100,Pt1000,Cu50 and so on.
响应时间 Response time	<400mSec.
输出电压 Output voltage	0~10Vdc, 1~5Vdc, 0~5Vdc, and special
输出电流 Output current	4~20mAdc, 0~20mAdc, 0~10mAdc, and special
输出负载 Output overload	电流输出时<750Ω, 电压输出时>1000Ω Output current <750Ω, Output voltage >1000Ω
输出满度校调 Span adjustment	$\leq \pm 20\%$ of R.O.
输出零点校调 Zero adjustment	$\leq \pm 10\%$ of R.O.
工作电源 Power supply	AC220V $\pm 10\%$ 、AC110V、DC220V、DC110V、DC24V $\pm 20\%$
电源功耗 Consumption	直流供电<3W, 交流供电<4VA DC Power <3W, AC Power <4VA
外壳材料 Case material	ABS
隔离 Isolation	输入/输出/电源/外壳 互相隔离 Between input/output/power/case
耐压强度 Isolation voltage	AC2KVrms/min
绝缘阻抗 Insulation resistance	>100MΩ, DC500V
工作环境温湿度 Operating temperature humidity	— 10℃~55℃, <80%相对湿度 (无冷凝状态) — 10℃~55℃, <80%Relative humidity(non-condensing)
储存环境温度湿度 Storage temperature humidity	— 20℃~70℃, <70%相对湿度 (无冷凝状态) — 20℃~70℃, <70%Relative humidity(non-condensing)
外型尺寸 Case dimension	100mm(长)×22mm(宽)×112mm(高) 100 mm(Length)×22mm(Width)×112mm(Height)
安装方式 Mounting	标准导轨35mm DIN rail 35mm
重量 Weight	<200克 <200g

信号隔离器
Signal isolator

外型尺寸 Dimension



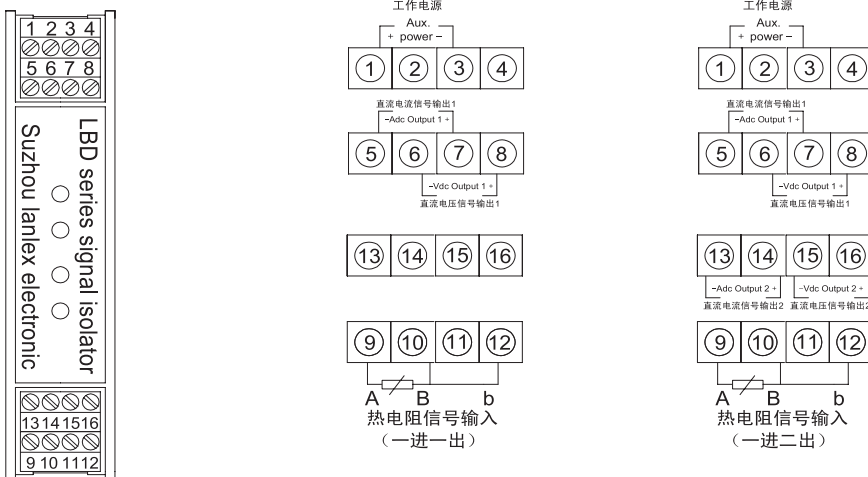
选型代码 Model Code

企业代码 Company code	功能代码 Function code	输入代码 Input code	输出1代码 Output1 code	输出2代码 Output2 code	工作电源代码 Aux.power	
LBD-T	P	Pt100	A 0~100℃	A4 4~20mA	A4 4~20mA	D DC24V
		Thermistor	B 0~150℃	A2 0~20mA	A2 0~20mA	A2 AC220V
	P1	Pt1000	C 0~200℃	A1 0~10mA	A1 0~10mA	A1 AC110V
		Thermistor	D 0~400℃	V0 1~5V	V0 1~5V	D2 DC220V
	Cu	Cu50	E 0~800℃	V1 0~10V	V1 0~10V	D1 DC110V
		Thermistor	F -20~150℃	V2 2~10V	V2 2~10V	Y Special
			G -50~200℃	V3 0~5V	V3 0~5V	
			Y Special	Y Special	N NO	
					Y Special	

订货范例 Order example

型号 Model : LBD-TPCA4ND
 输入 Input : Pt 100 (0~200℃)
 输出 Output : 4~20mAdc
 工作电源 Aux.power : DC24V

接线图 Connection Diagram



LBD-TC型 热电偶信号温度变送器（一进一出/一进二出）

LBD-TC thermocouple isolate transducer

■用途 Usage

LBD-TC型热电偶温度变送器可对分度号为T、E、J、K、N、R、S、B型温度传感器输出的热电偶温度信号进行精确测量，经隔离，变送，传输，转换成标准的模拟信号输出。可将一路信号分配成两路。可直接与显示仪表相接，同时亦可以与PLC，DCS，各种A/D转换器以及计算机系统相接。广泛运用于机械，电力，铁路，石化，冶金，化工，食品，污水处理行业的自动化系统中。

LBD-TC thermocouple isolate transducer can make accurate measurement of T、E、J、K、N、R、S、B thermocouple, isolate and transmit into standard analog output. It can separate one-channel signal into two-channel, three-channel, four-channel isolated signal. It can directly connect digital display, PLC, DCS, various A/D converter, computer system. So, it is an excellent product with high price performance ratio widely used in automation system of many industries such as machinery, electric power, railway, petrochemical, metallurgical, chemical engineering, sewage treatment and so on.

■特点 Feature

测量：T、E、J、K、N、R、S、B等。

精度： $\leq \pm 0.2\%R0$

隔离方式：输入、输出、电源三方完全隔离。抗干扰强。

输出：4~20mA, 0~10V, 1~5V, 2~10V, 0~20mA等。

工作电源：DC24V, AC220V等。

Measure: T、E、J、K、N、R、S、B and so on.

Accuracy: $\leq \pm 0.2\%R0$.

Isolation: Between input/output/ power supply.

Output: 4~20mA, 0~10V, 1~5V, 2~10V, 0~20mA and so on.

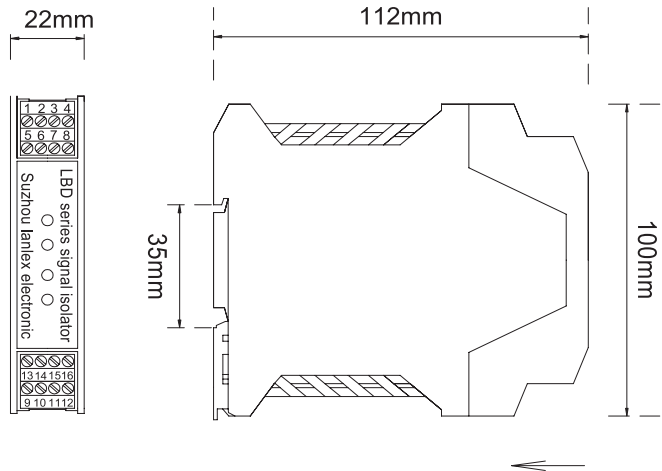
Power supply: DC24V, AC220V and special.

■技术参数 Technical parameters

输入信号 Input signal	T、E、J、K、N、R、S、B and so on.
响应时间 Response time	<400mSec.
输出电压 Output voltage	0~10Vdc, 1~5Vdc, 0~5Vdc, and special
输出电流 Output current	4~20mAdc, 0~20mAdc, 0~10mAdc, and special
输出负载 Output overload	电流输出时<750Ω, 电压输出时>1000Ω Output current <750Ω, Output voltage >1000Ω
冷端补偿范围 cold junction compensation	-40~+85℃
补偿精度 compensation accuracy	±1℃
工作电源 Power supply	AC220V±10%、DC24V (12~32V)
电源功耗 Consumption	直流供电<3W, 交流供电<4VA DC Power <3W, AC Power <4VA
外壳材料 Case material	ABS
隔离 Isolation	输入/输出/电源/外壳 互相隔离 Between input/output/power/case
耐压强度 Isolation voltage	AC2KVrms/min
绝缘阻抗 Insulation resistance	>100MΩ, DC500V
工作环境温湿度 Operating temperature humidity	-10℃~55℃, <80%相对湿度(无冷凝状态) -10℃~55℃, <80%Relative humidity(non-condensing)
储存环境温湿度 Storage temperature humidity	-20℃~70℃, <70%相对湿度(无冷凝状态) -20℃~70℃, <70%Relative humidity(non-condensing)
外型尺寸 Case dimension	100mm(长)×22mm(宽)×112mm(高) 100 mm (Length) × 22mm (Width) × 112mm (Height)
安装方式 Mounting	标准导轨35mm, 或螺钉固定 DIN rail 35mm, or fix to cubicle with bolt
重量 Weight	<200克 <200g

信号隔离器
Signal isolator

外型尺寸 Dimension



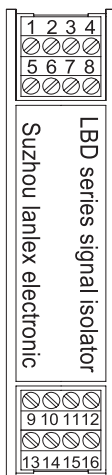
选型代码 Model Code

企业代码 Company code	热电偶分度号 Thermocouple type	输入温度范围代码 Input temp.code	输出1代码 Output1 code	输出2代码 Output2 code	工作电源代码 Aux.power	
LBD-TC	T	T type	A 0~400℃	A4 4~20mA	A4 4~20mA	D DC24V
	E	E type	B 0~600℃	A2 0~20mA	A2 0~20mA	A2 AC220V
	J	J type	C 0~800℃	A1 0~10mA	A1 0~10mA	Y Special
	K	K type	D 0~1100℃	V0 1~5V	V0 1~5V	
	N	N type	E 0~1300℃	V1 0~10V	V1 0~10V	
	R	R type	F 0~1400℃	V2 2~10V	V2 2~10V	
	S	S type	G 0~1800℃	V3 0~5V	V3 0~5V	
	B	B type	Y Special	Y Special	N NO	
				Y Special		

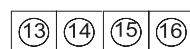
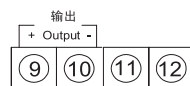
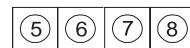
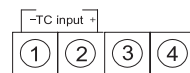
订货范例 Order example

型号 Model : LBD-TCKDA4V1D
 输入 Input : K type (0~1100℃)
 输出1 Output1 : 4~20mAdc; 输出2 Output2 : 0~10Vdc
 工作电源 Aux.power : DC24V

接线图 Connection Diagram



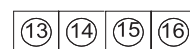
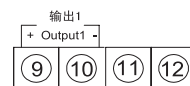
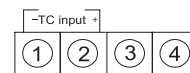
TC 热电偶信号输入



工作电源

热电偶信号输入
(一进一出)

TC 热电偶信号输入



工作电源

热电偶信号输入
(一进二出)